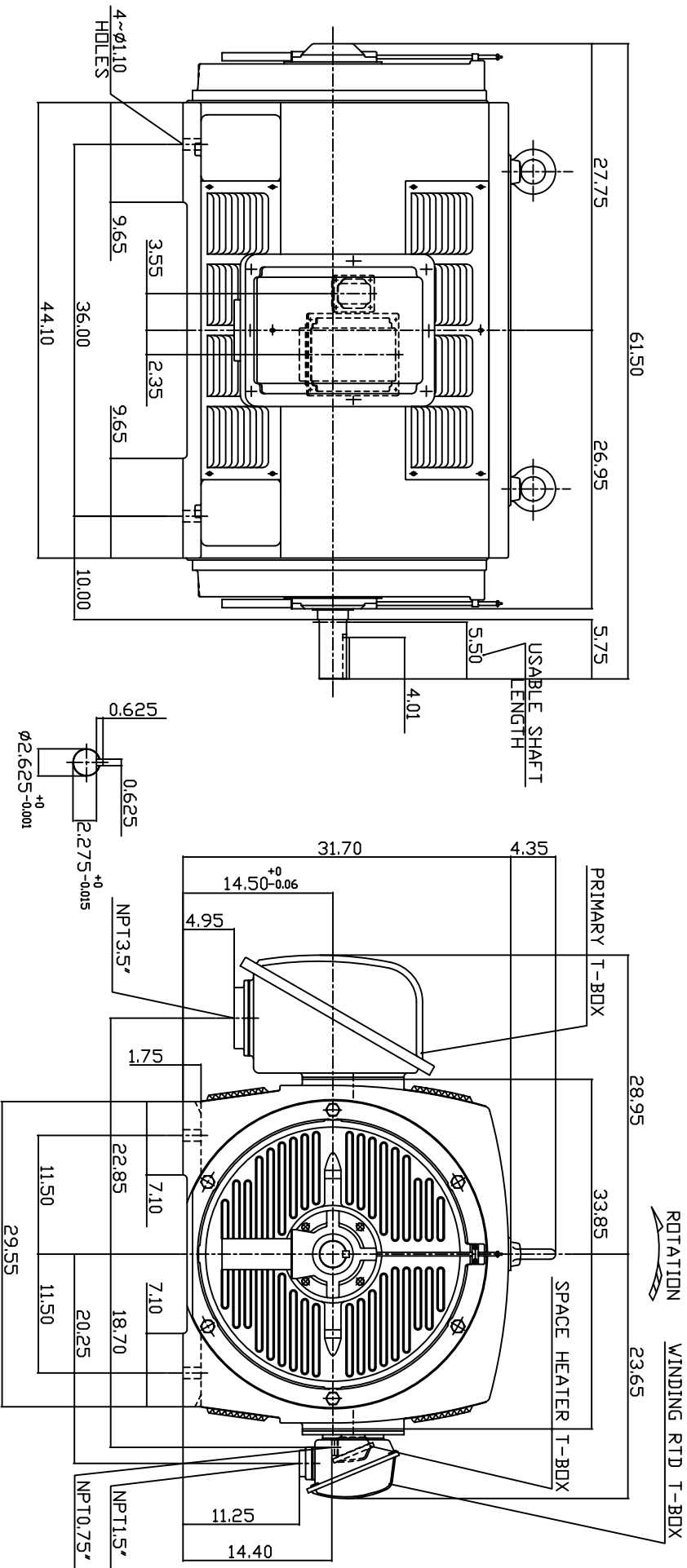


TYPE	OUTPUT		POLE	TIME RATING	VOLTAGE	Hz	SYN SPEED
	HP.	KW.					
ASHA	900	671	2	CONT.	2300/4160	60	3600

WEATHER PROTECTED TYPE I. SQUIRREL-CAGE ROTOR



- NOTE: 1. DIMENSIONS IN INCH.
1. FRAME NO. 5810A
 2. F CLASS INSULATION, S.F.1.15
 3. FOR DIRECT FLEXIBLE COUPLING
 4. WITH SPACE HEATER 120 VOLT SINGLE PHASE 250 WATTS
 5. 100 OHM PLATINUM WINDING RTD'S 2/PHASE
 6. BEARING SIZE: DRIVE END: 6315C3
NON-DRIVE END: 6315M/C3 VL024
 7. MOTOR APPRDX. WEIGHT: 5300 LBS
 8. MOTOR APPRDX. WEIGHT: 5300 LBS

TW-66C

CHKD.	W.LLIN	DATE
APPD.	C.WANG	APR-17-2003
DWN.	W.LLIN	APR-17-2003
CHKD.	W.LLIN	APR-17-2003
APPD.	C.WANG	APR-17-2003

DATE: MAY 5, 2004
 CATALOG NO. P9002
TEC Westinghouse
 OUTLINE DIMENSIONS
 3-PHASE INDUCTION MOTOR
 DWG NO. 3A040T3872
 REV. 00